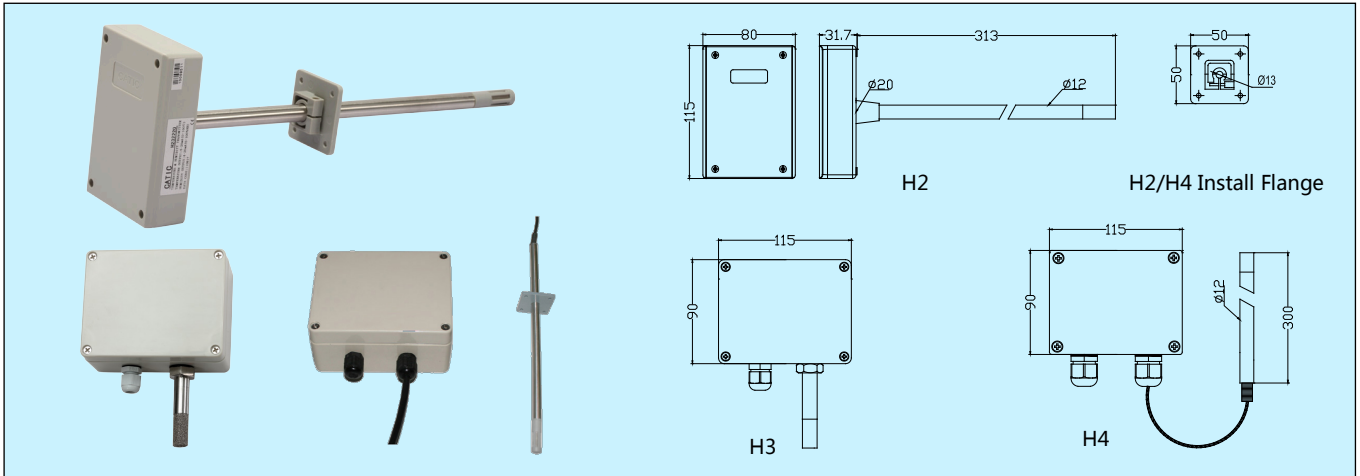


# H2,3,4 Temperature & Humidity Transmitters



## Applications & Features

- Humidity and temperature transmitters H2 (duct), H3 (outside) and H4 (remote) are designed for environment monitoring and controlling in industrial and commercial buildings.
- High performance digital sensors and circuits, ensure accurate measurement and temperature compensation
- Digital technology applied, multiple outputs optional, over voltage and reverse polarity protection, high reliability and anti-interference capability
- Industrial design, SS probe and selectable filter
- Good long term stability and reliability
- 100% field changeable sensor without re-calibration
- Fast response
- High protection rate up to IP65

## Specifications

### Relative Humidity

**Sensor:** Digital polymer

**Range:** 0~100%RH

**Output:** see models

**Accuracy:** 2%, 3%, 4.5%RH (25°C, 20~80%RH)

**Hysteresis:** <±1%RH

**Response time:** <10s (25°C, in slow air)

**Drift:** <±0.5%RH / year

### Temperature

**Sensor:** Digital temperature sensor or RTD/thermistor

**Range:** 0~50°C, 0~100°C, -40~60°C, or others

**Output:** see models

**Accuracy:** typical <±0.5°C@25°C, see models

**Power:** Voltage 15~28VAC/15~36VDC

Current 7.5~36VDC

**Output Load:** ≤500Ω (current), ≥2KΩ (voltage)

**Work Temp.:** -40~85°C, 0~95%RH (Non condensing)

**Housing:** Fireproof ABS housing, SS probe, SS mesh filter or sintered filter

**Protection:** IP65

**Approval:** CE

**Optional MMI operation panel:** Can be ordered and installed in field separately. See details in MMI product manual

## Models

Model	H2	H3	H4												
									Wall mount Temp./RH transmitter Outside air Temp./RH transmitter Remote mount Temp./ RH transmitter						
<b>RH Accuracy</b>				2	3	5			±2%RH ±3%RH ±4.5%RH						
<b>RH Output (0-100%RH)</b>				1	2	8			0-10VDC(3 wires) 4-20mA(2 wires) RS485/Modbus						
<b>Temp. Output</b>				0	1	2	3	4	5	6	7	8	9	A	No 0-10VDC(3 wires) 4-20mA(2 wires) PT1000, ±0.2°C@25°C PT100, ±0.2°C@25°C NTC20K, ±0.4°C@25°C Ni 1000, ±0.4°C@25°C NTC10K-II, ±0.4°C@25°C RS485/Modbus NTC10K-III, ±0.4°C@25°C NTC10K-A, ±0.4°C@25°C
<b>Temp. Range</b>								0	1	2	3	7		No 0-50°C 0-100°C -40-60°C others	
<b>Filter</b>									0	1				SS mesh SS sintered	

\*H series products are powered by RH circuit, so the RH circuit must be powered. Otherwise it could not work.