

Piezo-resistance diffused silicon differential pressure transmitter

- ☆ Accuracy: ± 0.25 、 $\pm 0.5\%$ F.S
- ☆ OEM
- ☆ Diffused silicon sensor
- ☆ Multiple measurement ranges and Signal outputs
- ☆ Various outsides and inside screw Installation
- ☆ Non-polarity two-wire current output
- ☆ Vdc/ac voltage output
- ☆ Intrinsic safety certification

Applications :

- ☆ Flow measurement
- ☆ Sewage treatment
- ☆ Wind differential pressure under coal-mine
- ☆ Hydroelectric station waterhead
- ☆ Urban flood proof & drainage
- ☆ Underwater project
- ☆ Underground water monitoring
- ☆ Water-save irrigation

explosion proof certification and CE certification

Powerful electromagnetic interference proof and lightning g proof

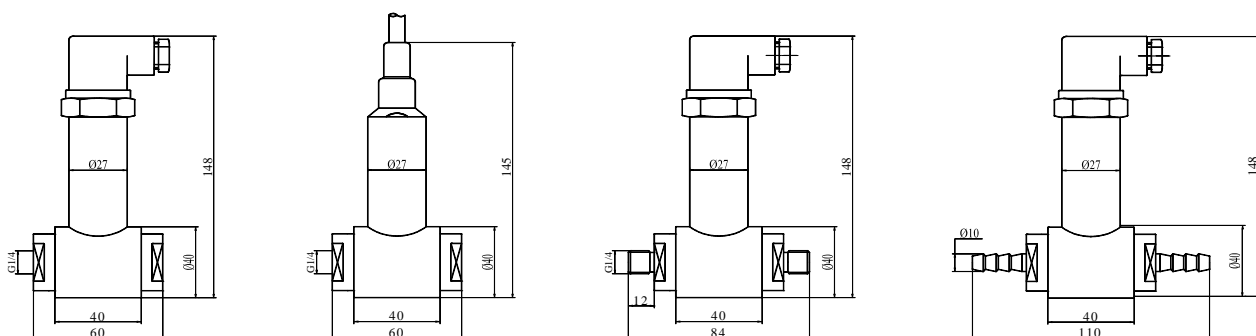


Description

CS-PT500/500T series of differential pressure transmitter feature high reliability, high stability and high accuracy, which are widely used in liquid and gas differential pressure measurement.

The products adopt 1Cr18Ni9Ti stainless steel for ordinary applications. The imported oil-filled differential pressure sensors, special amplifier and V/I convertor are utilized to ensure resistance to high voltage, current and magnetic field and non-polarity leads.

The products have been approved with intrinsic safety certification, explosion proof certification, ISO and CE certification.



First class designs, first class quality, and first class services are our commitment

XI'AN CHINA STAR M&C Ltd

www.websensor.com

CS-PT500 Series of Differential Pressure Transmitter

Technical data

Name	Data			Remark
Measurement range	±5kPa...±5000kPa			
Overload pressure	1.5 times rated pressure			
Pipeline static pressure	3、5、10 times rated pressure, 20MPa			
Accuracy	±0.1%F.S, ±0.25%F.S, ±0.5%F.S			
Stability	Typical value: 0.1%F.S, Maximum value : 0.2%F.S			
Operation temperature	-40℃~85℃			
Offset temperature	-10℃~70℃			
Medium compatibility	All corrosive medium compatible with 1Cr18Ni9Ti and 316L			
Electrics feature	Two-wire type	Three-wire type		
Signal output	4~20mA	0~5V	0~10V	
Power supply	10~36Vdc	10~36Vdc/ac	12~36Vdc/ac	Vdc/ac means both use dc and ac
Load resistance	(U-10)/0.02(Ω)	>100kΩ		
insulate	>100M Ω@50V			
Electrics connector	Waterproof lead with fixed cover , protection rank: IP68; Connector; DIN43650, shell protection: IP65			
Pressure junction	Outside & inside: G1/4; hose connection: RG=Ø8, air tap			
Response time	10ms			
Pressure form	Differential pressure			
Certification	Explosion certification, CE certification			
Electromagnetic compatibility	Electromagnetic radiation: EN50081-1/-2; Electromagnetic sensitivity: EN50082-2;			
Lightning proof	Air-conduction pressure : 8000V, Shell & cable conduction pressure: 4000V			Customized services available according to request.

Electrical Connection and Output Models

Electrical Connection				
End No	2 Wires	Cable Color	3 wires	Cable color
1	Power	Red	Power	Red
2	Output	Blue/Green	Ground	Black
3			Output	Blue/Green
GND	screen	Yellow	Screen	Yellow

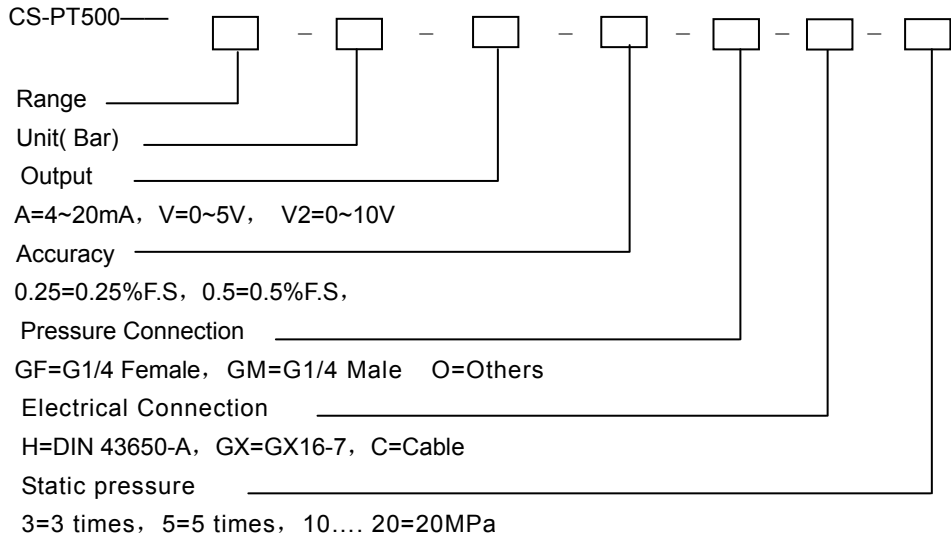
Output Modes	
2 wires	4 to 20 mA
3 wires	0 to 5V, 0.5 to 4.5V, 0 to 10V, 0/4 to 10/20 mA

First class designs, first class quality, and first class services are our commitment

XI'AN CHINA STAR M&C Ltd

www.websensor.com

Order Details



First class designs,first class quality, and first class services are our commitment
XI'AN CHINA STAR M&C Ltd www.websensor.com