

HL2008 Series Thermostats

General

The HL2008 series thermostats are stand-alone microprocessor based thermostats with LCD display. The thermostats are designed to on/off control the fans, valves, dampers or electric heaters in fan coil units, air-conditioners and heating applications.

Models are available for heating/cooling/ventilating control of 2-pipe or 4-pipe fan coil units.

The fan speed can be manually controlled by the fan speed control pushbutton. It is wired to run high/medium/low speed continuously or to automatically change the fan speed, while with other models there is a choice of running the fan continuously, or cycling it with the thermostat.



Features

- Attractive modern styling makes this thermostat ideal for locating in the occupied space
- Digital LCD display of room ambient temperature and user selected temperature setting on demand
- Adjustable heating/cooling/ventilating mode control
- Adjustable manual 3-speed or automatic fan speed control and on/off control output for valve
- Model available for cycling fan control
- Infrared remote control available(optional)
- Backlight function available(optional)
- Thermostat mounted directly onto a wall or standard junction box
- Model available for 120, 230 VAC power input also
- Reliable DC power supply by transformer
- Reliable output by relays

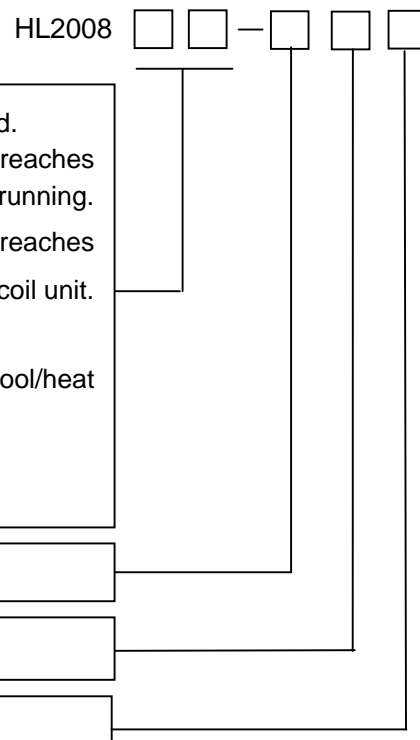
Model Definitions

- F:** Control fan coil to turn on/off and change the fan speed.
- DA:** Control fan coil and valve. When room temperature reaches the set-point, it will close the valve with the fan coil still running.
- DB:** Control fan coil and valve. When room temperature reaches the set-point, it will close the valve and turn off the fan coil unit.
- Y:** Only control electric damper to open or close.
- FCV2:** (4-pipe Configuration) To control fan coil unit and cool/heat water motorized valve.
- H:** Control heating equipment.
- M:** Multiple Outputs

T: Clock and timing on/off. Blank means it's disabled.

R: Infrared remote control. Blank means it's disabled.

L: Blue back light. Blank means it's disabled.



Main Functions

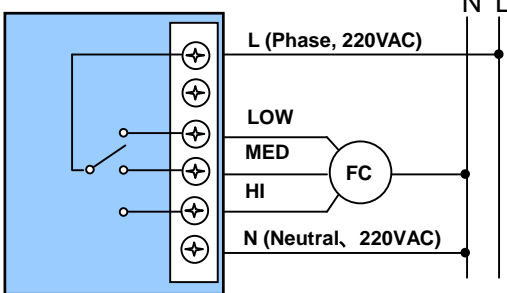
- | | |
|------------------------------|--|
| Cool/Heat Change Control | Clock (Optional) |
| Room Temperature Setting | Sleep (Optional) |
| Detect and Display Room Temp | Infrared Remote Control (Optional) |
| Manual/Auto Fan Speed | Blue Backlight (Optional) |
| Low Temperature Protection | 5/2 or 7 days Programmable (Optional) |

Specifications

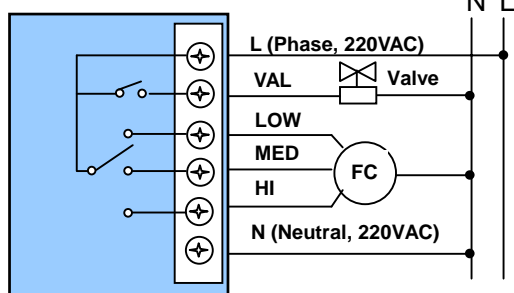
- | | |
|----------------------------|---|
| Sensor: NTC | Power Consumption: < 2W |
| Set-point Range: 5 ~ 35 | Power Supply: 220V(or any other volt.) ± 15%, 50/60Hz |
| Accuracy: ± 1 | Dimension: 86 × 86 × 13mm (W × H × D) |
| Max Load: | Hole Pitch: 60 mm |
| Fan Coil: < 150W | Shell: Fire retardant PC ABS |
| Heating Equipment: < 2.5KW | Display: LCD (65 × 48mm) |

Wiring Diagrams

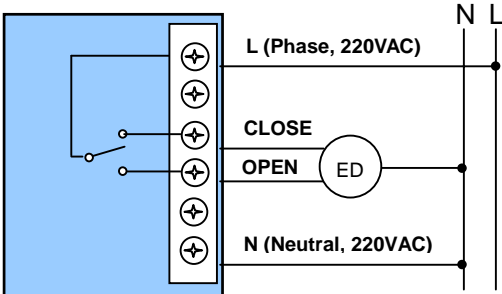
HL2008F



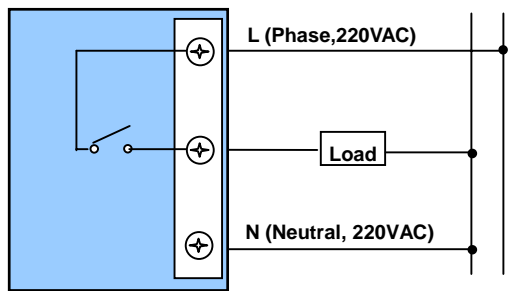
HL2008DA/DB



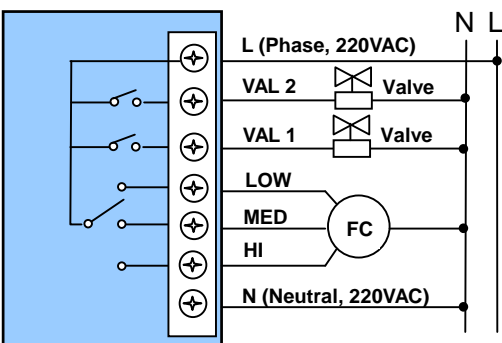
HL2008Y



HL2008H



HL2008FCV2

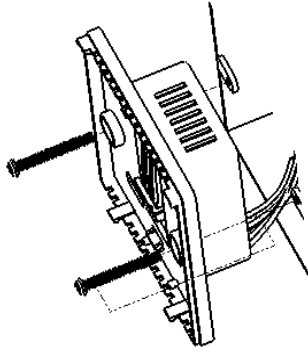


VAL1 : COOL
VAL2 : HEAT

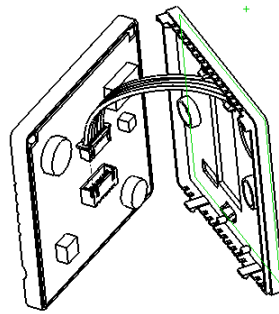
Installations



Cover Removing



Wiring and Base Mounting



Cable Installation



Cover Fixing