



Product Data

A/CTE Series
Solid-Core 0-5VDC
Output Current Sensor

A/CTV Series
Solid-Core 0-10VDC
Output Current Sensor

Product Description

The A/CTE and A/CTV Series current sensors monitor the current flowing to electrical equipment or buildings. The magnitude of this current is then converted into a linear 0 to 5 or 0 to 10 VDC output signal, which can be monitored by your Building Management, DDC, or PLC controller. All of these sensors have jumper selectable input ranges except for the 0 to 5 Amp input range.

The A/CTE and A/CTV series current sensors are fast acting and extremely accurate from 2% or 5% up to 100% of the Full Scale Output depending on the model being ordered. All of the A/CTE and A/CTV series current sensors are factory calibrated using an NIST Traceable standard and shipped with the jumper placed on the largest jumper selectable range.

The power for the A/CTE and A/CTV series current transmitter is induced from the conductor being monitored. This means that no external power supply is necessary for the installation of these sensors.

Product Specifications

Sensor Power	Induced from monitored conductor
Output Voltage	A/CTE Series: 0 to 5 VDC A/CTV Series: 0 to 10 VDC
Amperage Ranges	0 to 250 Amps (See ordering information)
Accuracy	A/CTE: +/- 1.0% (2 to 100% FSO) A/CTV: +/- 1.0% (5 to 100% FSO)
Response Time	A/CTE: < 100 mS A/CTV: < 100 mS
Operating Frequency Range	50 to 600 Hz
Isolation Voltage	2,200 VAC
Max. Sensing Current Voltage	600 VAC
Aperture (Hole) Size	0.75", Accepts up to 350 MCM Cables
DIN Rail Size	35mm
Operating Temperature Range	-15 to 40°C (5 to 104°F)
Operating Humidity Range	0 to 95% RH, non-condensing
Enclosure Rating	UL94-5VB

Wiring Diagrams available at www.workaci.com/instructions.htm
c0000007rev10.pdf

Current



Attributes:

- Fast response time
- Integral 35mm Din-rail mounting flange
- Rated up to 250 Amps
- Limited 5 year warranty
- Induced Power
- UL94-5VB (enclosure rating)

Applications:

- Load Trending Equipment (current monitoring)
- Monitoring Building loads
- Rated for industrial use

Automation Components, Inc.
2305 Pleasant View Rd.
Middleton, WI 53562
PH: (608) 831-2585
FAX: (608) 831-7407

DISPLAYS

TEMPERATURE

RELATIVE HUMIDITY

PRESSURE

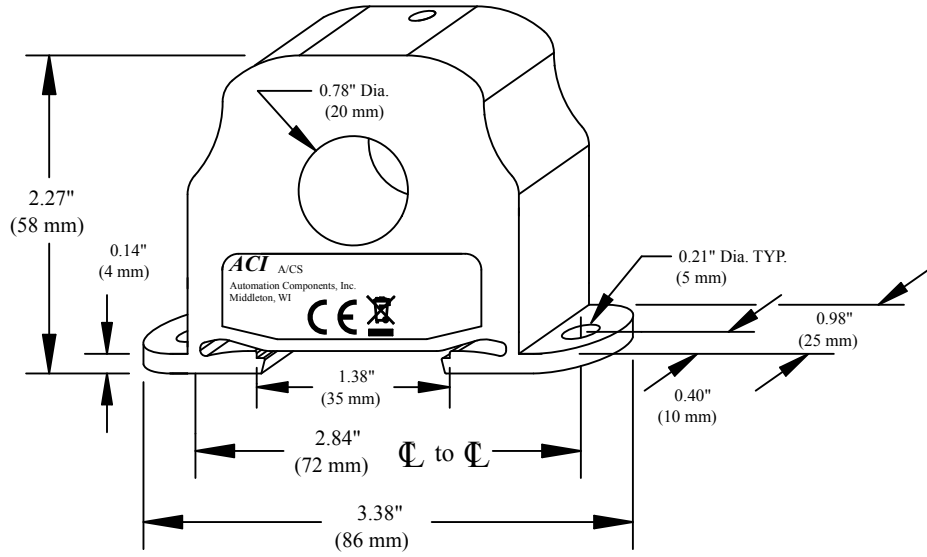
CURRENT

AIR QUALITY

ACCESSORIES

Dimensions

Solid-Core



Ordering Information

ACI Model #	Description	Jumper Selectable Ranges
A/CTE-50	Solid-Core, 0 to 5 VDC Output	0-10, 0-20, 0-50 Amps
A/CTE-250	Solid-Core, 0 to 5 VDC Output	0-100, 0-200, 0-250 Amps
A/CTV-50	Solid-Core, 0 to 10 VDC Output	0-10, 0-20, 0-50 Amps
A/CTV-250	Solid-Core, 0 to 10 VDC Output	0-100, 0-200, 0-250 Amps

Warning: Not intended to be used in Life & Safety Applications or for use in any hazardous locations.

DISPLAYS
TEMPERATURE
RELATIVE HUMIDITY
PRESSURE
CURRENT
AIR QUALITY
ACCESSORIES