



Product Data

A/CS Series
A/CSX Series
 Solid-Core Fixed
 Current "Status" Switches

Product Description

The A/CS and A/CSX series current switches are available in a solid-core with either Normally-Open (N/O) or Normally-Closed (N/C) output configurations. All of these sensors will have a solid-state output with a fixed trip point (setpoint). These current switches are ideal for providing status information on any type of AC current using equipment. The A/CS and A/CSX current switches are accurate, reliable, easy to install, and require less servicing than differential pressure switches, flow switches, and paddle wheels.

These current switches should be used in applications in which a "Go/No Go" current switch is required. A change in the operating current may indicate mechanical failure or that the unit has been turned off.

The A/CS and A/CSX series current switches can be used to monitor devices with a maximum continuous operating current of up to 250 Amps. These current switches will not need to be externally powered, since the power for the switch is induced from the conductor being monitored. Another great feature of the A/CS and A/CSX series current switches is that they include a Red "Status" LED that will indicate whether the current is above or below the fixed trip point.

Product Specifications

Sensor Power	Induced from monitored conductor
Amperage Rating	0 to 250 Amps continuous
Operating Frequency	40 to 1 kHz
Max. Sensing Current Voltage	600VAC
Isolation Voltage	2,200 VAC
Output Switch Rating	A/CS (N/O): 0.3A @ 200 VAC/VDC A/CSX (N/C): 0.15A @ 300 VAC/VDC
Status LED Indication	Red LED - Above Trip Point
Aperture (Hole) Size	0.75", Accepts up to 350 MCM Cables
DIN Rail Size	35mm
Unit Weight	0.21 lbs
Operating Temperature Range	-15 to 40°C (5 to 104°F)
Operating Humidity Range	0 to 95% RH, non-condensing

Note: DO NOT use the LED's to indicate whether the sensors have power applied to them.

Wiring Diagrams available at www.workaci.com/instructions.htm
 c0000001rev11.pdf

Current



Attributes:

- "Go/NoGo" Status Switch
- Integral Din-rail mounting flange
- Rated up to 250 Amps
- Limited 5 year warranty
- UL94-5VB (enclosure rating)
- LED Indication

Applications:

- Monitoring Fans, pumps, and other electrical equipment for status
- Rated for industrial use

Automation Components, Inc.
 2305 Pleasant View Rd.
 Middleton, WI 53562
 PH: (608) 831-2585
 FAX: (608) 831-7407

DISPLAYS

TEMPERATURE

RELATIVE HUMIDITY

PRESSURE

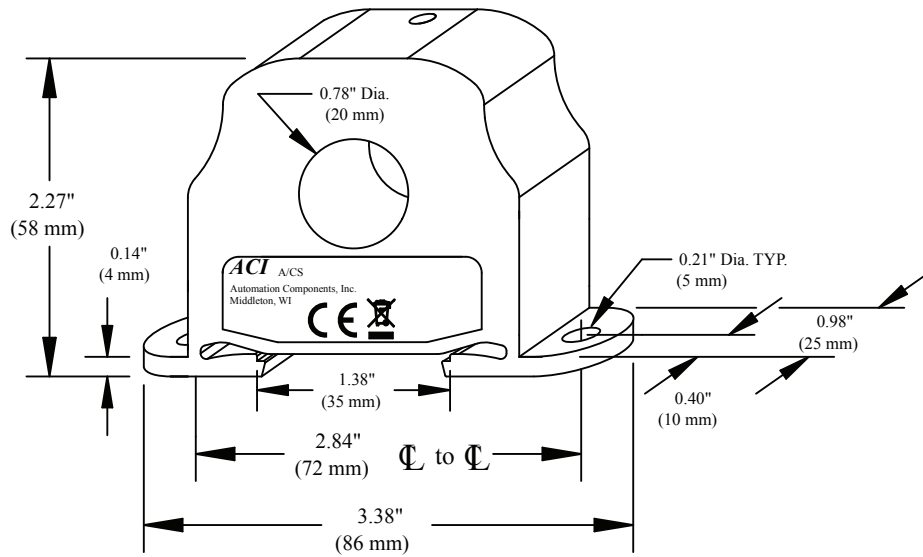
CURRENT

AIR QUALITY

ACCESSORIES

Dimensions

Solid-Core



Ordering Information

ACI Model #	Description	Fixed Trip Point	Output Switch Rating
A/CS	Solid-Core Current Switch, N/O, 0-250A	0.50 Amps	0.30A @ 200 VAC/VDC
A/CS-L	Solid-Core Current Switch, N/O, 0-250A	0.20 Amps	0.30A @ 200 VAC/VDC
A/CSX	Solid-Core Current Switch, N/C, 0-250A	1.00 Amps	0.15A @ 300 VAC/VDC
A/CSX-L	Solid-Core Current Switch, N/C, 0-250A	0.50 Amps	0.15A @ 300 VAC/VDC



Warning: Not intended to be used in Life & Safety Applications or for use in any hazardous locations.