

# HL2X Series Modulating Valves

## DN15-DN50

### Application:

Modulate the medium flux to control the temperature, humidity and pressure of air conditioning, refrigeration, heating and building automatic control systems

it can accurately modulate the flux of the medium and can reach the targets to control the temperature, humidity and pressure of the systems.



### Features:

- 1, Cast Bracket and plastic shell for actuator
- 2, Magnetic Synchronmotor with self protection function
- 3, Radiator available when high medium temperature occurs
- 4, Screw and Flange connections that conform to International IEC standard
- 5, can be easily controlled by HaiLin 8102series controller



### Actuator Technical data

Power Supply	AC24V 50/60Hz
Actuator Force	500N, 1000N
Control Signal	Floating Point, 0~10V, 4~20mA
Feedback Signal	0~10VDC(available for some models)
Power Consumption	2.4VA, 2.7VA , 5.5VA 7.5VA
Speed	0.24mm/s
Max. Journey	25mm
Fence class	IP42

## Valve Body Parameters

Pressure		1.6 M Pa					
Medium		Cold/Hot Water, Vapor and Glycol etc.					
Valve Core		Brass or Stainless Steel					
Feedback Signal		0~10VDC(available for some models)					
Adjustment Ratio		More than 50					
Leakage		Less than 0.02% of Kv					
KV Value	DN	15	20	25	32	40	50
	M3/h	4	6	10	16	25	40

## Model No.

HL2        -

Structure \_\_\_\_\_  
 2=2 way; 8=3 way mixing; 9=3 way diverting

Caliber(DN) \_\_\_\_\_

Connection \_\_\_\_\_

F=flange; L=screw

Valve body material \_\_\_\_\_

A=cast iron; B=cast steel; C=stainless steel; D=Cast Brass

Radiator \_\_\_\_\_

1=No Radiator; 2=With Radiator

Actuator force \_\_\_\_\_

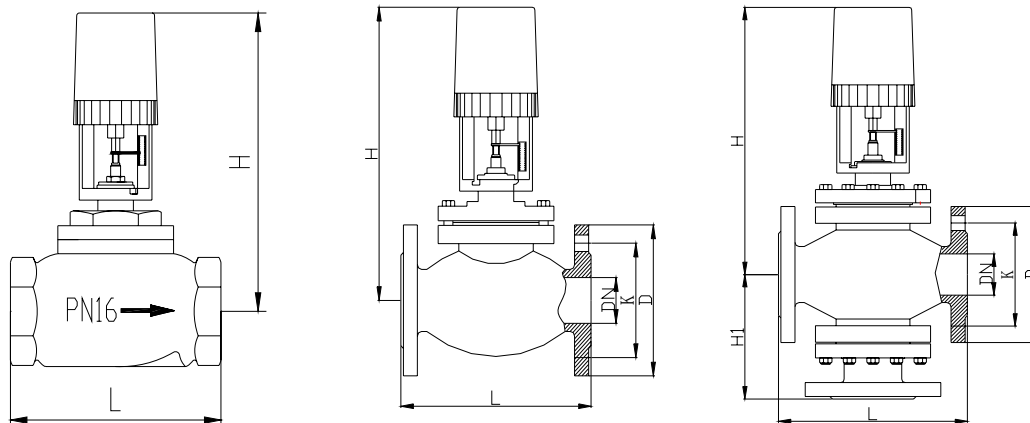
1=500N; 2=1000N

Control signal \_\_\_\_\_

0=increment; 1=0-10V; 2=4-20mA

Feedback \_\_\_\_\_

0=no feedback; 1=0-10V; 2=4-20mA



Order Guide (data table, next page)

No.	Models	DN	Connections Type	2 or 3 -Way	Body Material	Core Material	Medium Temp.	Differential Pressure Allowed	KV Value M <sup>3</sup> /h	Force	Dimension					Screw demand
											L	H	D	K	H1	
1	HL22015LC1-100	15	Screw	2-way	Stainless-Steel	Brass	2-130°C	0.75(Water)	4	500N	80	240	-	-	-	-
2	HL22020LC1-100	20	Screw	2-way	Stainless-Steel	Brass	2-130°C	0.70(Water)	6	500N	80	240	-	-	-	-
3	HL22025LC1-100	25	Screw	2-way	Stainless-Steel	Brass	2-130°C	0.50(Water)	10	500N	105	247	-	-	-	-
4	HL22032LC1-100	32	Screw	2-way	Stainless-Steel	Brass	2-130°C	0.35(Water)	16	500N	120	270	-	-	-	-
5	HL22040LC1-100	40	Screw	2-way	Stainless-Steel	Brass	2-130°C	0.30(Water)	25	500N	130	277	-	-	-	-
6	HL22050LC1-200	50	Screw	2-way	Stainless-Steel	Brass	2-130°C	0.35(Water)	40	1000N	150	290	-	-	-	-
7	HL22015FB1-100	15	Flange	2-way	Cast Steel	Brass	2-130°C	0.75(Water)	4	500N	150	328	105	75	-	4-M12
8	HL22020FB1-100	20	Flange	2-way	Cast Steel	Brass	2-130°C	0.70(Water)	6	500N	150	328	105	75	-	4-M12
9	HL22025FB1-100	25	Flange	2-way	Cast Steel	Brass	2-130°C	0.50(Water)	10	500N	160	335	115	85	-	4-M12
10	HL22032FB1-100	32	Flange	2-way	Cast Steel	Brass	2-130°C	0.35(Water)	16	500N	180	347	140	110	-	4-M16
11	HL22040FB1-100	40	Flange	2-way	Cast Steel	Brass	2-130°C	0.30(Water)	25	500N	200	350	150	110	-	4-M16
12	HL22025FB1-200	50	Flange	2-way	Cast Steel	Brass	2-130°C	0.35(Water)	40	1000N	230	355	165	125	-	4-M16
13	HL22032FA1-100	32	Flange	2-way	Cast Iron	Stainless-Steel	2-160°C	0.35(Water)	16	500N	180	310	140	100	-	4-M16
14	HL22040FA1-100	40	Flange	2-way	Cast Iron	Stainless-Steel	2-160°C	0.30(Water)	25	500N	200	330	150	110	-	4-M16
15	HL22050FA1-200	50	Flange	2-way	Cast Iron	Stainless-Steel	2-160°C	0.35(Water)	40	1000N	230	335	165	125	-	4-M16
16	HL22015FB1-100	15	Flange	2-way	Cast Steel	Stainless-Steel	2-180°C	0.46(Vapor)	4	500N	150	328	105	75	-	4-M12
17	HL22020FB1-100	20	Flange	2-way	Cast Steel	Stainless-Steel	2-180°C	0.43(Vapor)	6	500N	150	328	105	75	-	4-M12
18	HL22025FB1-200	25	Flange	2-way	Cast Steel	Stainless-Steel	2-180°C	0.52(Vapor)	10	1000N	160	335	115	85	-	4-M12
19	HL22032FB1-200	32	Flange	2-way	Cast Steel	Stainless-Steel	2-180°C	0.35(Vapor)	16	1000N	180	347	140	100	-	4-M16
20	HL22015LC1-110	15	Screw	2-way	Stainless-Steel	Brass	2-130°C	0.75(Water)	4	500N	80	240	-	-	-	-
21	HL22020LC1-110	20	Screw	2-way	Stainless-Steel	Brass	2-130°C	0.70(Water)	6	500N	80	240	-	-	-	-
22	HL22025LC1-110	25	Screw	2-way	Stainless-Steel	Brass	2-130°C	0.50(Water)	10	500N	105	247	-	-	-	-
23	HL22032LC1-110	32	Screw	2-way	Stainless-Steel	Brass	2-130°C	0.35(Water)	16	500N	120	270	-	-	-	-
24	HL22040LC1-110	40	Screw	2-way	Stainless-Steel	Brass	2-130°C	0.30(Water)	25	500N	130	277	-	-	-	-
25	HL22050LC1-210	50	Screw	2-way	Stainless-Steel	Brass	2-130°C	0.35(Water)	40	1000N	150	290	-	-	-	-
26	HL22015FB1-110	15	Flange	2-way	Cast Steel	Brass	2-130°C	0.75(Water)	4	500N	150	328	105	75	-	4-M12
27	HL22020FB1-110	20	Flange	2-way	Cast Steel	Brass	2-130°C	0.70(Water)	6	500N	150	328	105	75	-	4-M12
28	HL22025FB1-110	25	Flange	2-way	Cast Steel	Brass	2-130°C	0.50(Water)	10	500N	160	335	115	85	-	4-M12
29	HL22032FB1-110	32	Flange	2-way	Cast Steel	Brass	2-130°C	0.35(Water)	16	500N	180	347	140	110	-	4-M16
30	HL22040FB1-110	40	Flange	2-way	Cast Steel	Brass	2-130°C	0.30(Water)	25	500N	200	350	150	110	-	4-M16
31	HL22050FB1-210	50	Flange	2-way	Cast Steel	Brass	2-130°C	0.35(Water)	40	1000N	230	355	165	125	-	4-M16
32	HL22032FA1-110	32	Flange	2-way	Cast Iron	Stainless-Steel	2-160°C	0.35(Water)	16	500N	180	310	140	100	-	4-M16
33	HL22040FA1-110	40	Flange	2-way	Cast Iron	Stainless-Steel	2-160°C	0.30(Water)	25	500N	200	330	150	110	-	4-M16
34	HL22050FA1-210	50	Flange	2-way	Cast Iron	Stainless-Steel	2-160°C	0.35(Water)	40	1000N	230	335	165	125	-	4-M16
35	HL22015FB1-110	15	Flange	2-way	Cast Steel	Stainless-Steel	2-180°C	0.46(Vapor)	4	500N	150	328	105	75	-	4-M12
36	HL22020FB1-110	20	Flange	2-way	Cast Steel	Stainless-Steel	2-180°C	0.43(Vapor)	6	500N	150	328	105	75	-	4-M12
37	HL22025FB1-210	25	Flange	2-way	Cast Steel	Stainless-Steel	2-180°C	0.52(Vapor)	10	1000N	160	335	115	85	-	4-M12
38	HL22032FB1-210	32	Flange	2-way	Cast Steel	Stainless-Steel	2-180°C	0.35(Vapor)	16	1000N	180	347	140	100	-	4-M12
39	HL28015FB1-100	15	Flange	3-way	Cast Steel	Brass	2-130°C	0.75(Water)	4	500N	150	328	105	75	100	4-M12
40	HL28020FB1-100	20	Flange	3-way	Cast Steel	Brass	2-130°C	0.70(Water)	6	500N	150	328	105	75	100	4-M12
41	HL28025FB1-100	25	Flange	3-way	Cast Steel	Brass	2-130°C	0.50(Water)	10	500N	160	335	115	85	110	4-M12
42	HL28032FB1-100	32	Flange	3-way	Cast Steel	Brass	2-130°C	0.35(Water)	16	500N	180	347	140	100	130	4-M16
43	HL28040FB1-100	40	Flange	3-way	Cast Steel	Brass	2-130°C	0.30(Water)	25	500N	200	350	150	110	140	4-M16
44	HL28050FB1-200	50	Flange	3-way	Cast Steel	Brass	2-130°C	0.40(Water)	40	1000N	230	355	165	125	150	4-M16
45	HL28050FA1-200	50	Flange	3-way	Cast Iron	Stainless-Steel	2-160°C	0.40(Water)	40	1000N	230	335	165	125	150	4-M16
46	HL29015FB1-100	15	Flange	3-way	Cast Steel	Brass	2-130°C	0.75(Water)	4	500N	150	328	105	75	100	4-M12
47	HL29020FB1-100	20	Flange	3-way	Cast Steel	Brass	2-130°C	0.70(Water)	6	500N	150	328	105	75	100	4-M12
48	HL29025FB1-100	25	Flange	3-way	Cast Steel	Brass	2-130°C	0.50(Water)	10	500N	160	335	115	85	110	4-M12
49	HL29032FB1-100	32	Flange	3-way	Cast Steel	Brass	2-130°C	0.35(Water)	16	500N	180	347	140	100	130	4-M16
50	HL29040FB1-100	40	Flange	3-way	Cast Steel	Brass	2-130°C	0.30(Water)	25	500N	200	350	150	110	140	4-M16
51	HL29050FB1-200	50	Flange	3-way	Cast Steel	Brass	2-130°C	0.40(Water)	40	1000N	230	355	165	125	150	4-M16
52	HL28015FB1-110	15	Flange	3-way	Cast Steel	Brass	2-130°C	0.40(Water)	4	500N	150	328	105	75	100	4-M12
53	HL28020FB1-110	20	Flange	3-way	Cast Steel	Brass	2-130°C	0.70(Water)	6	500N	150	328	105	75	100	4-M12
54	HL28025FB1-110	25	Flange	3-way	Cast Steel	Brass	2-130°C	0.50(Water)	10	500N	160	335	115	85	110	4-M12
55	HL28032FB1-110	32	Flange	3-way	Cast Steel	Brass	2-130°C	0.35(Water)	16	500N	180	347	140	100	130	4-M16
56	HL28040FB1-110	40	Flange	3-way	Cast Steel	Brass	2-130°C	0.30(Water)	25	500N	200	350	150	110	140	4-M16
57	HL28050FB1-210	50	Flange	3-way	Cast Steel	Brass	2-130°C	0.40(Water)	40	1000N	230	355	165	125	150	4-M16
58	HL28050FA1-210	50	Flange	3-way	Cast Iron	Stainless-Steel	2-160°C	0.40(Water)	40	1000N	230	335	165	125	150	4-M16
59	HL29015FB1-110	15	Flange	3-way	Cast Steel	Brass	2-130°C	0.75(Water)	4	500N	150	328	105	75	100	4-M12
60	HL29020FB1-110	20	Flange	3-way	Cast Steel	Brass	2-130°C	0.70(Water)	6	500N	150	328	105	75	100	4-M12
61	HL29025FB1-110	25	Flange	3-way	Cast Steel	Brass	2-130°C	0.50(Water)	10	500N	160	335	115	85	110	4-M12
62	HL29032FB1-110	32	Flange	3-way	Cast Steel	Brass	2-130°C	0.35(Water)	16	500N	180	347	140	100	130	4-M16
63	HL29040FB1-110	40	Flange	3-way	Cast Steel	Brass	2-130°C	0.30(Water)	25	500N	200	350	150	110	140	4-M16
64	HL29050FB1-210	50	Flange	3-way	Cast Steel	Brass	2-130°C	0.40(Water)	40	1000N	230	355	165	125	150	4-M16